

# Sanidrum 400

Sani Inversion Drum 400 with 6" Storz (3 pin)

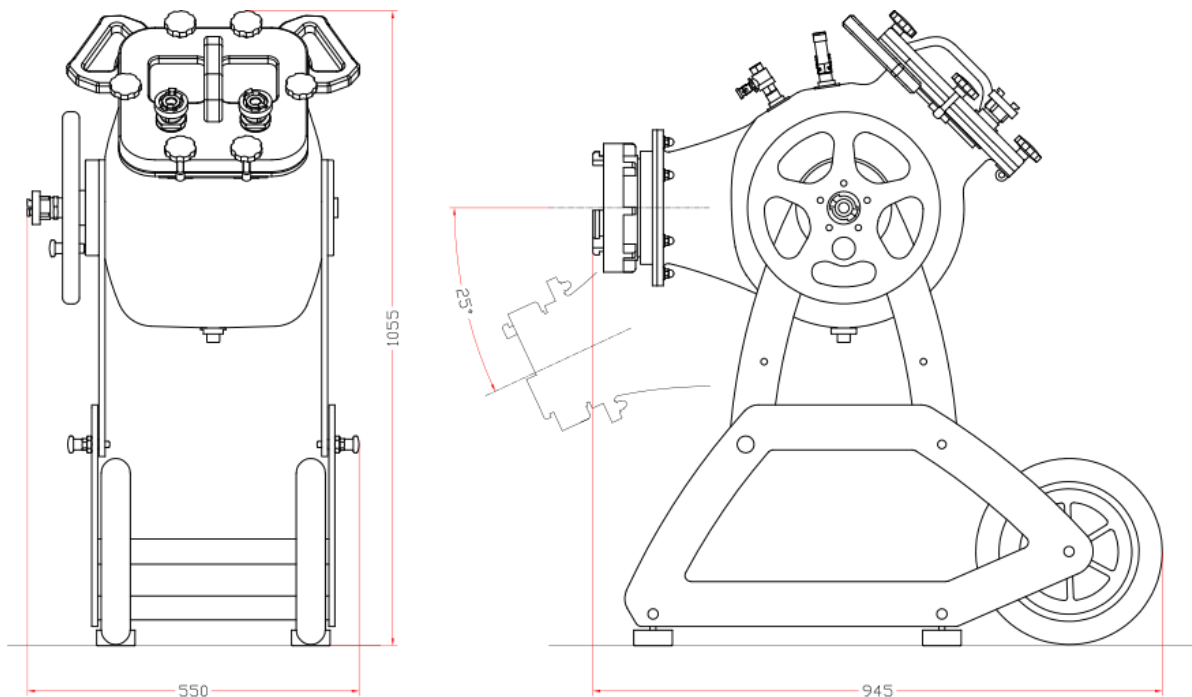


Sanidrum 400		
Thickness		3 mm
DN 100	≈ 18 m	
DN 125	≈ 16 m	
DN 150	≈ 12 m	
DN 200	≈ 8 m	
Weight		32kg

## Technical details

max. pressure: 1,1 bar max.  
temperature: 80 °C

## Dimensions:



# Sanidrum 600

Sani inversion drum 600 with 6" Storz (3 pin)

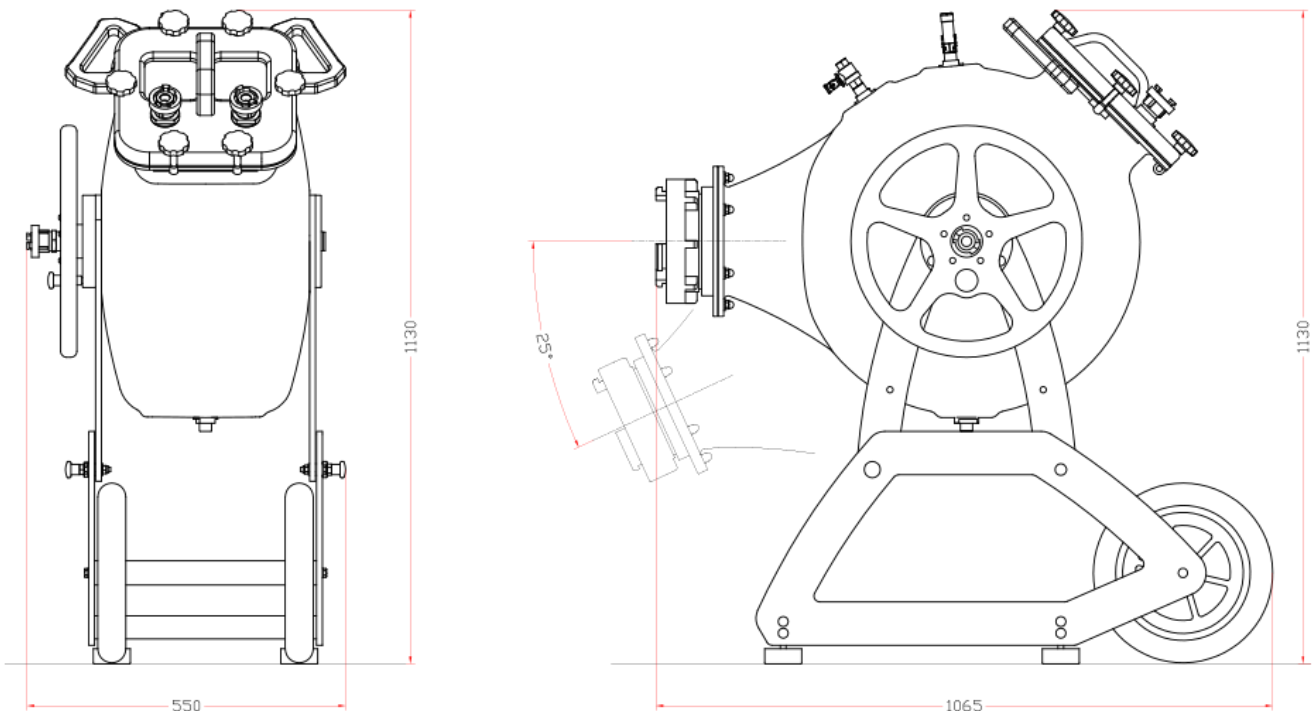


Sanidrum 600	
Thickness	3-4 mm
DN 100	≈ 40 m
DN 125	≈ 30 m
DN 150	≈ 26 m
DN 200	≈ 18 m
DN 250	≈ 12m
Weight	39kg

## Technical details

max. pressure: 1,1 bar max.  
temperature: 80 °C

## Dimensions:



# Sanidrum 700

Sani inversion drum 700 with 6" or 8" Storz (3 pin)

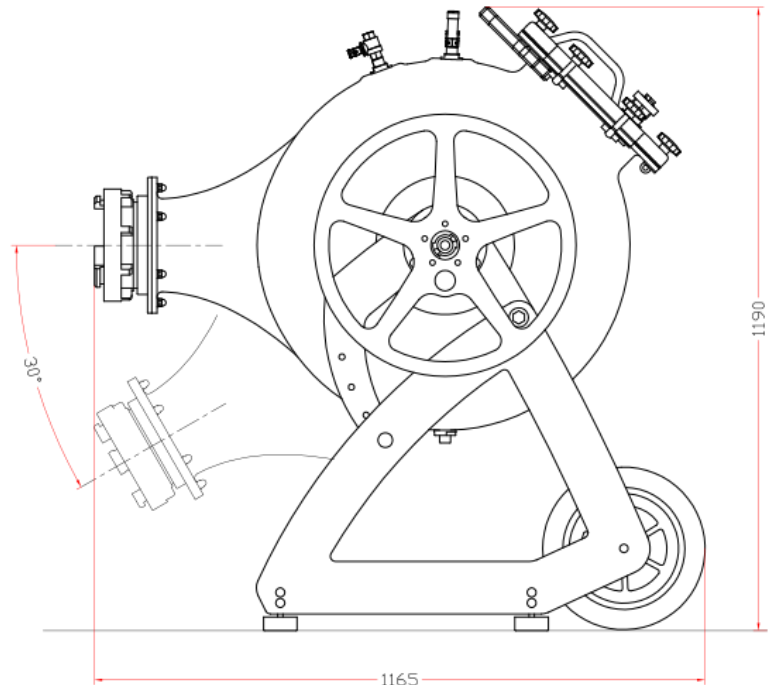
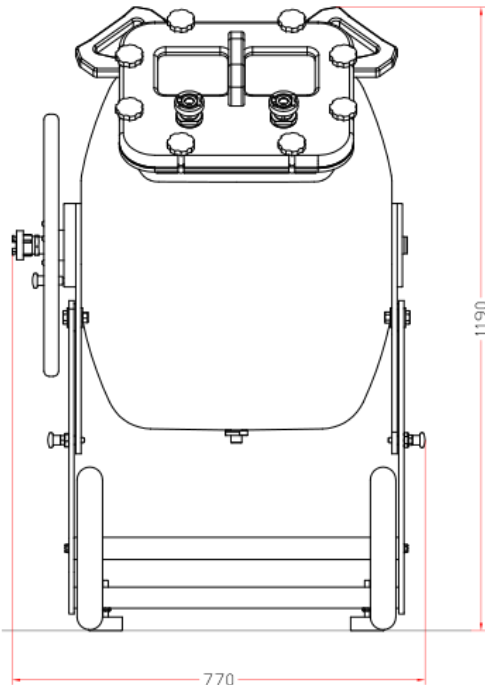


Sanidrum 700	
Thickness	3 - 4 mm
DN 100	
DN 125	
DN 150	≈ 60 m ≈ 55 m ≈ 45 m ≈ 40 m ≈ 40 m
DN 200	
DN 250	
DN 250	≈30m (6mm)
Weight 55 kg	

## Technical details

max. pressure: 1,1 bar max.  
temperature: 80 °C

## Dimensions:



# Sanidrum 950

Sani Inversion drum 950 with 8" Storz (3 pin)



Sanidrum 950	
Thickness	3 - 4 mm
	≈ 150 m
	≈ 125 m
	≈ 110 m
	≈ 100 m
	≈ 80 m
	≈ 60 m
DN 300	≈50m (6mm)
Weight 129 kg	

## Technical details

max. pressure: 0,9 bar max.

temperature: 80 °C

## Dimensions:

